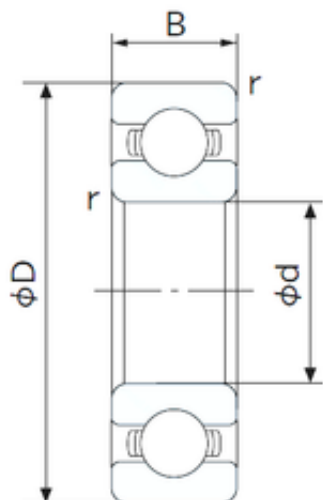




## New energy Bearing Manufacturing Co.,...



Timken SKF Bearing NSK, NTN Koyo Bearing  
Kbc NACHI Bearing Auto Agricultural Machinery  
Ball Bearing 6000 6002 6004 6202 6204 Zz 2RS C3

Bearing No. 6000

Size	10x26x8 mm
Bore Diameter	10 mm
Outer Diameter	26 mm
Width	8 mm
d	10 mm
D	26 mm
B	8 mm
C	8 mm
r min.	0.3 mm
da min.	12 mm
Da max.	24 mm
ra max.	0.3 mm
Weight	0.019 Kg
Basic dynamic load rating (C)	4,55 kN
Basic static load rating (C0)	1,97 kN
(Grease) Lubrication Speed	30000 r/min
Enclosure	Open
Bore Type	Cylindrical Bore
Configuration	Single Row
Bore Size	10 mm
Outside Diameter	26 mm
Width	8 mm
Fillet Radius/Chamfer	0.3 mm
Dynamic Load Rating	4,550 N

6000 Bearing 2D drawings and 3D CAD models



## New energy Bearing Manufacturing Co.,...

Static Load Rating	1,970 N
Limiting Speed - Grease	30,000 rpm
Limiting Speed - Oil	36,000 rpm
Factor $f_0$	12.4
Radial Clearance	0.002 to 0.013 mm
$d_a$ (min)	12 mm
$D_a$ (max)	24 mm
$r_a$ (max)	0.3 mm