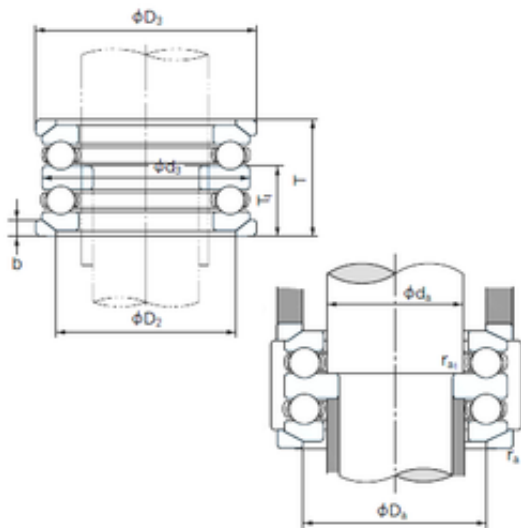




New energy Bearing Manufacturing Co.,...



NACHI 54216U thrust ball bearings

Bearing No. 54216U

Size	80x115x58 mm
Bore Diameter	80 mm
Outer Diameter	115 mm
Width	58 mm
d	80 mm
d2	65 mm
D	115 mm
T	58 mm
ra1 max.	1 mm
T1	34 mm
a	10 mm
b	10 mm
d3	115 mm
r min.	1 mm
r1 min.	1 mm
D1	82 mm
D2	98 mm
D3	120 mm
da min.	80 mm
Da max.	98 mm
ra max.	1 mm
Weight	2.11 Kg
Basic dynamic load rating (C)	78,5 kN
Basic static load rating (C0)	219 kN
(Grease) Lubrication Speed	1700 r/min

54216U Bearing 2D drawings and 3D CAD models