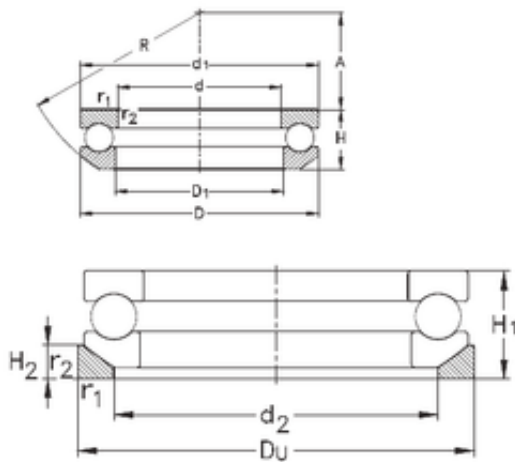




# New energy Bearing Manufacturing Co.,...

## NKE 53310+U310 thrust ball bearings

Bearing No. 53310+U310



53310+U310 Bearing 2D drawings and 3D CAD models

Size	50x95x34.3 mm
Bore Diameter	50 mm
Outer Diameter	95 mm
Width	34,3 mm
d	50 mm
D	95 mm
H	34,3 mm
d1	95 mm
d2	72 mm
r1 min.	1,1 mm
r2 min.	1,1 mm
A	28 mm
D1	52 mm
H1	37 mm
H2	11 mm
R	72 mm
Weight	1,2 Kg
Basic dynamic load rating (C)	88 kN
Basic static load rating (C0)	173 kN