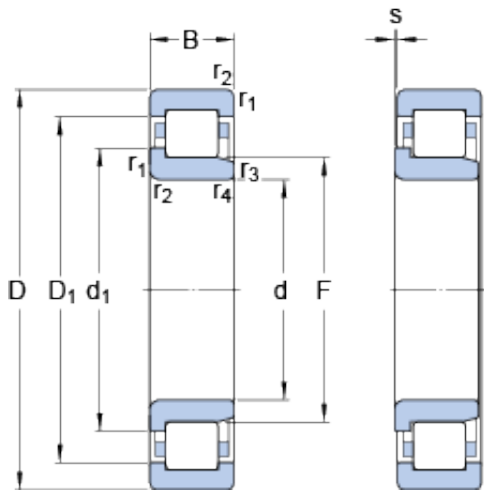




New energy Bearing Manufacturing Co.,...



17 mm x 40 mm x 16 mm SKF NJ 2203 ECP thrust ball bearings

Bearing No. NJ 2203 ECP

Size	40x17x16 mm
Bore Diameter	40 mm
Outer Diameter	17 mm
Width	16 mm
d	17 mm
D	40 mm
B	16 mm
d ₁	25 mm
D ₁	32.35 mm
F	22.1 mm
r _{1,2} - min.	0.6 mm
r _{3,4} - min.	0.6 mm
s	1.5 mm
d _a - min.	20.7 mm
d _a - max.	21.1 mm
d _b - min.	27 mm
D _a - max.	36 mm
r _a - max.	0.6 mm
Basic dynamic load rating - C	23.8 kN
Basic static load rating - C ₀	21.6 kN
Fatigue load limit - P _u	2.6 kN
Reference speed	19000 r/min
Limiting speed	22000 r/min
Calculation factor - k _r	0.2

NJ 2203 ECP Bearing 2D drawings and 3D CAD models



New energy Bearing Manufacturing Co.,...

Category	Cylindrical Roller Bearings
Inventory	0.0
Manufacturer Name	SKF
Minimum Buy Quantity	N/A
Weight / Kilogram	0.098
EAN	7316577029201
Product Group	B04144
Bore Profile	Straight
Cage Material	Polymer
Precision Class	RBEC 1 ISO P0
Number of Rows of Rollers	Single Row
Separable	Inner Ring - One Side
Rolling Element	Cylindrical Roller Bearing
Profile	Complete with Outer and Inner Ring
Snap Ring	No
Internal Clearance	C0-Medium
Retainer	Yes
Relubricatable	Yes
Inch - Metric	Metric
Other Features	High Capacity 1 Rib Inner Ring 2 Rib Outer Ring Cage on Outer Ring ID
Long Description	17MM Bore; Straight Bore Profile; 40MM Outside Diameter; 16MM Width; Polymer Cage Material; RBEC 1 ISO P0; Single Row; Inner Ring - One Side Separable; No Snap Ring; Relubricatable; C0-Medium Inter
Category	Cylindrical Roller Bearing
UNSPSC	31171547
Harmonized Tariff Code	8482.50.00.00
Noun	Bearing



New energy Bearing Manufacturing Co.,...

Manufacturer URL	http://www.skf.com
Manufacturer Item Number	NJ 2203 ECP
Weight / LBS	0.217
Width	0.63 Inch 16 Millimeter
Bore	0.669 Inch 17 Millimeter
Outside Diameter	1.575 Inch 40 Millimeter
bore diameter:	17 mm
static load capacity:	21.6 kN
outside diameter:	40 mm
precision rating:	RBEC 1 (ISO Class Normal)
overall width:	16 mm
maximum rpm:	22000 RPM
flanges:	(2) Outer Ring, (1) Inner Ring
cage material:	Polyamide
bore type:	Straight
finish/coating:	Uncoated
number of rows:	1
closure type:	Open
internal clearance:	C0
application:	Piston Type Machines, Rolling Mills, Spindles/Machine Tools
ring separation:	Separable Ring
outer ring width:	16 mm
operating temperature range:	Maximum of +300 ° F
fillet radius:	0.6 mm
dynamic load capacity:	23.8 kN
series:	NJ22
d ₁	25 mm
D ₁	32.35 mm
r _{1,2} min.	0.6 mm



New energy Bearing Manufacturing Co.,...

$r_{3,4}$ min.	0.3 mm
s max.	1.5 mm
d_a min.	20.7 mm
d_a max.	21.1 mm
d_b min.	27 mm
D_a max.	36 mm
r_a max.	0.6 mm
Basic dynamic load rating C	27.5 kN
Basic static load rating C_0	21.6 kN
Fatigue load limit P_u	2.65 kN
Calculation factor k_r	0.2
Limiting value e	0.3
Axial load factor Y	0.4
Mass bearing	0.093 kg