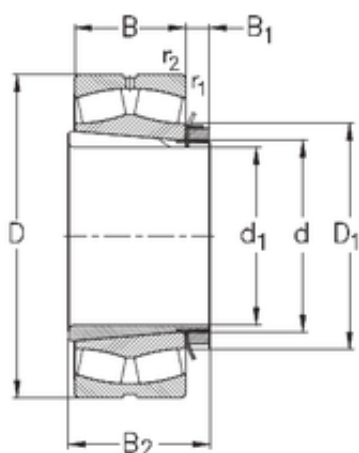




## New energy Bearing Manufacturing Co.,...



240 mm x 500 mm x 155 mm NKE 22348-K-MB-W33+OH2348-H spherical roller bearings

Bearing No. 22348-K-MB-W33+OH2348-H

22348-K-MB-W33+OH2348-H Bearing 2D drawings and 3D CAD models

|                               |                |
|-------------------------------|----------------|
| Size                          | 240x500x155 mm |
| Bore Diameter                 | 240 mm         |
| Outer Diameter                | 500 mm         |
| Width                         | 155 mm         |
| d                             | 240 mm         |
| d1                            | 220 mm         |
| D                             | 500 mm         |
| B                             | 155 mm         |
| C                             | 155 mm         |
| r1 min.                       | 5 mm           |
| r2 min.                       | 5 mm           |
| B1                            | 37 mm          |
| B2                            | 199 mm         |
| D1                            | 300 mm         |
| Weight                        | 170 Kg         |
| Basic dynamic load rating (C) | 2440 kN        |
| Basic static load rating (C0) | 3690 kN        |
| Limiting speed                | 1300 r/min     |
| Calculation factor (e)        | 0,34           |
| Calculation factor (Y0)       | 1,9            |
| Calculation factor (Y1)       | 2              |