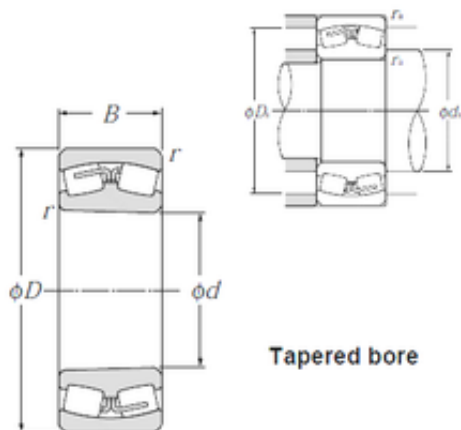




# New energy Bearing Manufacturing Co.,...



## 60 mm x 130 mm x 31 mm NTN 21312K spherical roller bearings

Bearing No. 21312K

21312K Bearing 2D drawings and 3D CAD models

Size	60x130x31 mm
Bore Diameter	60 mm
Outer Diameter	130 mm
Width	31 mm
d	60 mm
D	130 mm
B	31 mm
C	31 mm
r min.	2,1 mm
da min.	72 mm
Da max.	118 mm
ra max.	2 mm
Weight	2,07 Kg
Basic dynamic load rating (C)	167 kN
Basic static load rating (C0)	191 kN
(Grease) Lubrication Speed	3 400 r/min
(Oil) Lubrication Speed	4 400 r/min
Calculation factor (e)	0,25
Calculation factor (Y0)	2,63
Calculation factor (Y1)	2,69
Category	Bearings
Inventory	0.0
Manufacturer Name	NTN
Minimum Buy Quantity	N/A
Weight / Kilogram	2.05



## New energy Bearing Manufacturing Co.,...

EAN	4547359002645
Product Group	B04311