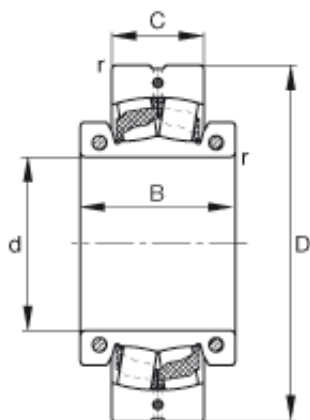




New energy Bearing Manufacturing Co.,...



55 mm x 110 mm x 28 mm FAG 222SM55-TVPA spherical roller bearings

Bearing No. 222SM55-TVPA

Size	55x110x28 mm
Bore Diameter	55 mm
Outer Diameter	110 mm
Width	28 mm
d	55 mm
D	110 mm
C	28 mm
B	52 mm
r_{\min}	1,5 mm
m	1,47 kg / Weight
C_r	110000 N / Dynamic load rating (radial)
e	0,21
Y_1	3,17
Y_2	4,72
C_{0r}	129000 N / Static load rating (radial)
Y_0	3,1
n_G	3150 1/min / Limiting speed
C_{ur}	13200 N / Fatigue limit load, radial
$F_{a \max}$	5400 N / Permissible axial load, for inner ring without axial abutment
M_i	8 Nm / Tightening torque per clamping screw

222SM55-TVPA Bearing 2D drawings and 3D CAD models



New energy Bearing Manufacturing Co.,...

M_a	2 Nm / Tightening torque per clamping screw
	22212K / Designation, spherical roller bearing, unsplit
	H312 / Adapter sleeve