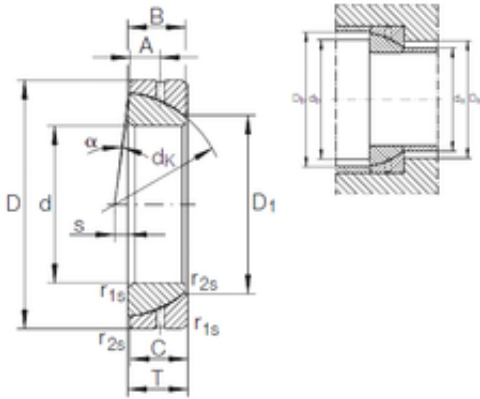




New energy Bearing Manufacturing Co.,...

140 mm x 210 mm x 42 mm INA GE 140 SX
plain bearings



Bearing No. GE 140 SX

GE 140 SX Bearing 2D drawings and 3D CAD models

Size	140x210x45 mm
Bore Diameter	140 mm
Outer Diameter	210 mm
Width	45 mm
d	140 mm
D	210 mm
T	45 mm
B	42 mm
C	42 mm
dk	200 mm
r1 min.	2,5 mm
r2 min.	0,6 mm
A	22,5 mm
D1	160,6 mm
S	20 mm
da max	156,9 mm
Da min	171 mm
db min	184 mm
Db min.	202 mm
Angle	1,8 °
Weight	6,5 Kg
Basic dynamic load rating (C)	663 kN