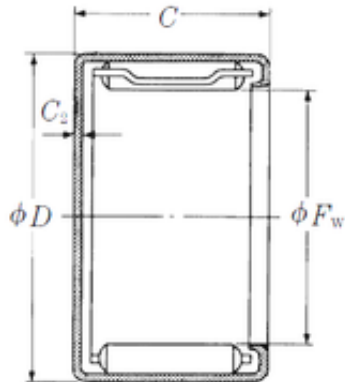




## New energy Bearing Manufacturing Co.,...

### NSK MFJL-2515L needle roller bearings



Bearing No. MFJL-2515L

Size	25x33x15 mm
Bore Diameter	25 mm
Outer Diameter	33 mm
Width	15 mm
Fw	25 mm
D	33 mm
C	15 mm
C2	1 mm
Weight	29 Kg
Basic dynamic load rating (C)	15400 kN

MFJL-2515L Bearing 2D drawings and 3D CAD models