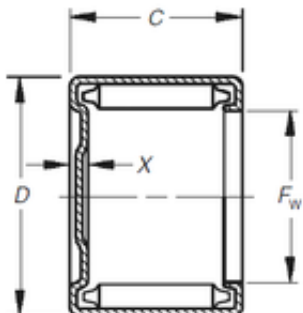




New energy Bearing Manufacturing Co.,...

Timken M-32161 needle roller bearings



Bearing No. M-32161

Size	50.8x60.325x25.4 mm
Bore Diameter	50,8 mm
Outer Diameter	60,325 mm
Width	25,4 mm
F _w	50,8 mm
D	60,325 mm
C	25,4 mm
C1	3,05 mm
Weight	0,14 Kg
Basic dynamic load rating (C)	57,4 kN
Basic static load rating (C0)	138 kN
(Grease) Lubrication Speed	2100 r/min

M-32161 Bearing 2D drawings and 3D CAD models