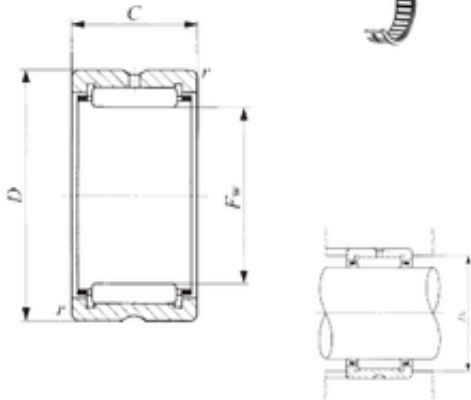




New energy Bearing Manufacturing Co.,...

IKO TAF 475720 needle roller bearings

Bearing No. TAF 475720



TAF 475720 Bearing 2D drawings and 3D CAD models

Size	47x57x20 mm
Bore Diameter	47 mm
Outer Diameter	57 mm
Width	20 mm
Fw	47 mm
D	57 mm
C	20 mm
r min.	0,3 mm
Da max.	55 mm
Weight	0,095 Kg
Basic dynamic load rating (C)	31,5 kN
Basic static load rating (C0)	62,2 kN