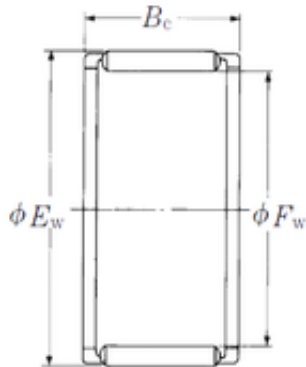




## New energy Bearing Manufacturing Co.,...

### NSK FWF-293427 needle roller bearings



Bearing No. FWF-293427

Bore Diameter	29 mm
Outer Diameter	34 mm
Fw	29 mm
Ew	34 mm
Bc	27 mm
Weight	0,027 Kg
Basic dynamic load rating (C)	26,6 kN
Basic static load rating (C0)	48,5 kN

FWF-293427 Bearing 2D drawings and 3D CAD models