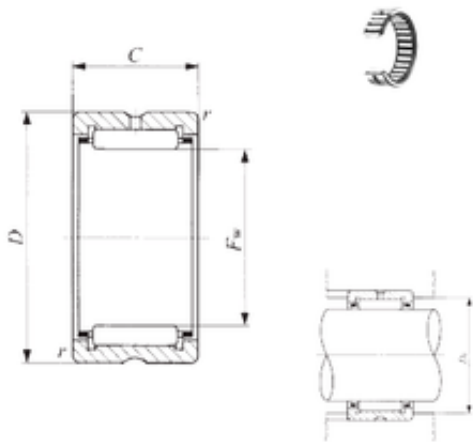




New energy Bearing Manufacturing Co.,...

IKO TAF 688235 needle roller bearings



Bearing No. TAF 688235

Size	68x82x35 mm
Bore Diameter	68 mm
Outer Diameter	82 mm
Width	35 mm
Fw	68 mm
D	82 mm
C	35 mm
r min.	0,6 mm
Da max.	78 mm
Weight	0,35 Kg
Basic dynamic load rating (C)	72 kN
Basic static load rating (C0)	166 kN

TAF 688235 Bearing 2D drawings and 3D CAD models