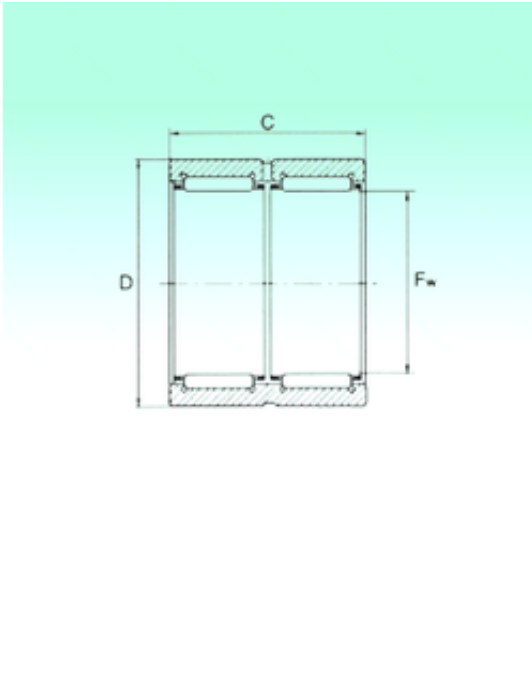




New energy Bearing Manufacturing Co.,...



RNA 6915 ZW Bearing 2D drawings and 3D CAD models

NBS RNA 6915 ZW needle roller bearings

Bearing No. RNA 6915 ZW

Size	85x105x54 mm
Bore Diameter	85 mm
Outer Diameter	105 mm
Width	54 mm
Fw	85 mm
D	105 mm
C	54 mm
Weight	0,923 Kg
Basic dynamic load rating (C)	128 kN
Basic static load rating (C0)	272 kN