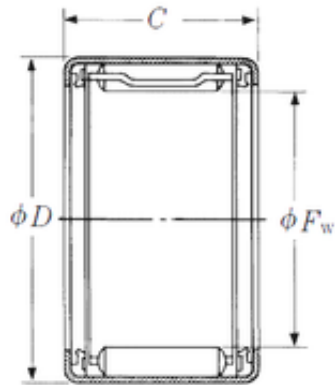




New energy Bearing Manufacturing Co.,...

NSK FJLTT-2226 needle roller bearings



Bearing No. FJLTT-2226

Size	22x29x26 mm
Bore Diameter	22 mm
Outer Diameter	29 mm
Width	26 mm
Fw	22 mm
D	29 mm
C	26 mm
Weight	0,03 Kg
Basic dynamic load rating (C)	18,1 kN

FJLTT-2226 Bearing 2D drawings and 3D CAD models