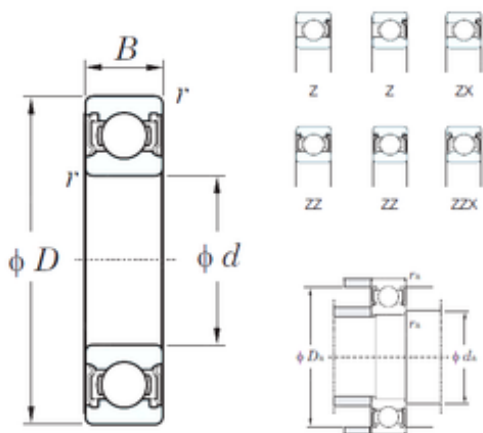




# New energy Bearing Manufacturing Co.,...



35 mm x 62 mm x 14 mm KOYO 6007Z deep groove ball bearings

Bearing No. 6007Z

6007Z Bearing 2D drawings and 3D CAD models

Size	35x62x14 mm
Bore Diameter	35 mm
Outer Diameter	62 mm
Width	14 mm
d	35 mm
D	62 mm
B	14 mm
C	14 mm
r min.	1 mm
da min.	40 mm
da max	42 mm
Da max.	58 mm
ra max.	1 mm
Weight	0,155 Kg
Basic dynamic load rating (C)	15,9 kN
Basic static load rating (C0)	10,3 kN
(Grease) Lubrication Speed	11000 r/min
(Oil) Lubrication Speed	13000 r/min
Category	Single Row Ball Bearings
Inventory	0.0
Manufacturer Name	KOYO
Minimum Buy Quantity	N/A
Weight / Kilogram	0.168
Product Group	B00308
Enclosure	1 Metal Shield



## New energy Bearing Manufacturing Co.,...

Precision Class	ABEC 1   ISO P0
Maximum Capacity / Filling Slot	No
Rolling Element	Ball Bearing
Snap Ring	No
Internal Special Features	No
Cage Material	Steel
Internal Clearance	C0-Medium
Inch - Metric	Metric
Long Description	35MM Bore; 62MM Outside Diameter; 14MM Outer Race Width; 1 Metal Shield; Ball Bearing; ABEC 1   ISO P0; No Filling Slot; No Snap Ring; No Internal Special Features; C0-Medium Internal Clearance; Steel
Other Features	Deep Groove
Category	Single Row Ball Bearing
UNSPSC	31171504
Harmonized Tariff Code	8482.10.50.68
Noun	Bearing
Keyword String	Ball
Manufacturer URL	<a href="http://www.koyousa.com">http://www.koyousa.com</a>
Weight / LBS	0.34172
Outer Race Width	0.551 Inch   14 Millimeter
Outside Diameter	2.441 Inch   62 Millimeter
Inner Race Width	0 Inch   0 Millimeter
Bore	1.378 Inch   35 Millimeter