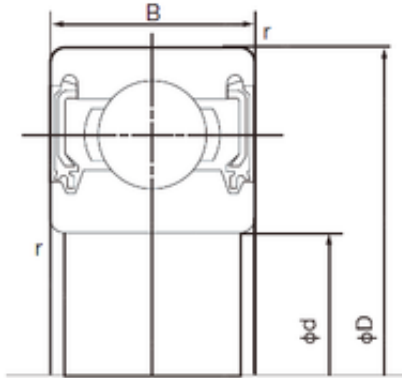




New energy Bearing Manufacturing Co.,...

40 mm x 80 mm x 18 mm NACHI 6208-2NKE9
deep groove ball bearings



Bearing No. 6208-2NKE9

6208-2NKE9 Bearing 2D drawings and 3D CAD models

Size	40x80x18 mm
Bore Diameter	40 mm
Outer Diameter	80 mm
Width	18 mm
d	40 mm
D	80 mm
B	18 mm
C	18 mm
r min.	1.1 mm
Basic dynamic load rating (C)	29,1 kN
Basic static load rating (C0)	17,9 kN
Bore Type	Cylindrical Bore
Enclosure	Double Seal
Configuration	Single Row
Weight	0.366 kg
Bore Size	40 mm
Outside Diameter	80 mm
Width	18 mm
Dynamic Load Rating	29,100 N
Static Load Rating	17,900 N
Limiting Speed - Grease	8,700 rpm
Factor fo	14.0
Radial Clearance	0.006 to 0.020 mm
da (min)	47 mm
Da (max)	73 mm



New energy Bearing Manufacturing Co.,...

ra (max)

1 mm