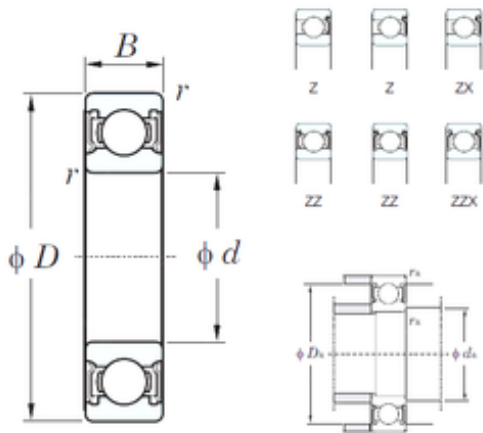




# New energy Bearing Manufacturing Co.,...



90 mm x 115 mm x 13 mm KOYO 6818Z deep groove ball bearings

Bearing No. 6818Z

6818Z Bearing 2D drawings and 3D CAD models

Size	90x115x13 mm
Bore Diameter	90 mm
Outer Diameter	115 mm
Width	13 mm
d	90 mm
D	115 mm
B	13 mm
C	13 mm
r min.	1 mm
da min.	95 mm
da max	95,5 mm
Da max.	110 mm
ra max.	1 mm
Weight	0,279 Kg
Basic dynamic load rating (C)	19 kN
Basic static load rating (C0)	19,7 kN
(Grease) Lubrication Speed	5300 r/min
(Oil) Lubrication Speed	6300 r/min