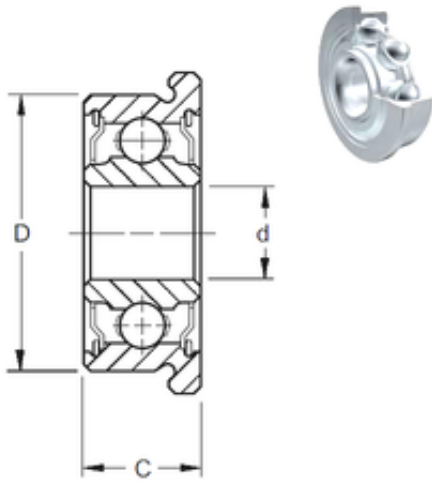




## New energy Bearing Manufacturing Co.,...



6 mm x 17 mm x 6 mm ZEN F606-2Z deep groove ball bearings

Bearing No. F606-2Z

|                               |           |
|-------------------------------|-----------|
| Size                          | 6x17x6 mm |
| Bore Diameter                 | 6 mm      |
| Outer Diameter                | 17 mm     |
| Width                         | 6 mm      |
| d                             | 6 mm      |
| D                             | 17 mm     |
| B                             | 6 mm      |
| C                             | 6 mm      |
| Basic dynamic load rating (C) | 2,263 kN  |
| Basic static load rating (C0) | 0,846 kN  |

F606-2Z Bearing 2D drawings and 3D CAD models