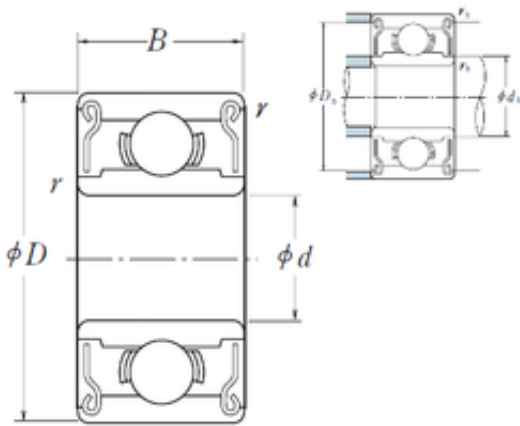




New energy Bearing Manufacturing Co.,...



6,35 mm x 19,05 mm x 7,142 mm NSK R 4AA
ZZ deep groove ball bearings

Bearing No. R 4AA ZZ

Size	6.35x19.05x7.142 mm
Bore Diameter	6,35 mm
Outer Diameter	19,05 mm
Width	7,142 mm
d	6,35 mm
D	19,05 mm
B	7,142 mm
C	7,142 mm
r min.	0,4 mm
db max.	9 mm
Db min.	16,6 mm
rb max.	0,4 mm
Weight	0,00917 Kg
Basic dynamic load rating (C)	2,62 kN
Basic static load rating (C0)	1,06 kN

R 4AA ZZ Bearing 2D drawings and 3D CAD models