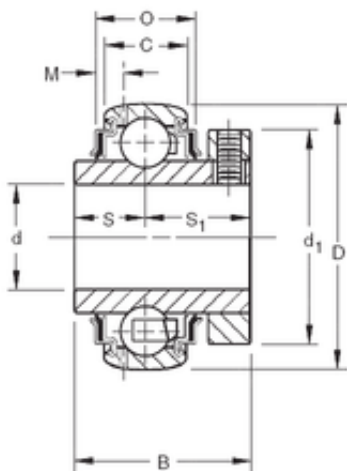




New energy Bearing Manufacturing Co.,...



25 mm x 52 mm x 34,13 mm Timken
GCE25KRRB deep groove ball bearings

Bearing No. GCE25KRRB

Size	25x52x34.13 mm
Bore Diameter	25 mm
Outer Diameter	52 mm
Width	34,13 mm
d	25 mm
D	52 mm
B	34,13 mm
C	15 mm
S1	20,2 mm
O	19,74 mm
d1	44,4 mm
M	3,61 mm
S	13,9 mm
Thread (G)	M6x1
Weight	0,231 Kg
Basic dynamic load rating (C)	15,8 kN

GCE25KRRB Bearing 2D drawings and 3D CAD models