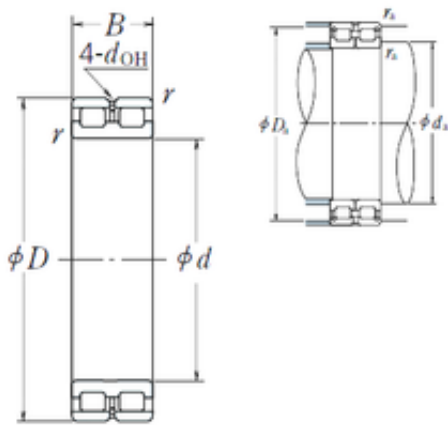




# New energy Bearing Manufacturing Co.,...



## 500 mm x 670 mm x 170 mm NSK RSF-49/500E4 cylindrical roller bearings

Bearing No. RSF-49/500E4

RSF-49/500E4 Bearing 2D drawings and 3D CAD models

Size	500x670x170 mm
Bore Diameter	500 mm
Outer Diameter	670 mm
Width	170 mm
d	500 mm
D	670 mm
B	170 mm
C	170 mm
r min.	5 mm
da min.	520 mm
Da max.	650 mm
ra max.	4 mm
Weight	173 Kg
Basic dynamic load rating (C)	3300 kN
Basic static load rating (C0)	8900 kN
(Grease) Lubrication Speed	170 r/min
hidYobi	RSF-49/500E4
LangID	1
D_	670
B_	170
hidTable	ecat_NSCLDRS
Oil rpm	170
mass	173
GRS rpm	340
ra	4



## New energy Bearing Manufacturing Co.,...

da_min	520
C0	8900
DE_	629
Prod_Type3	CRB_FRFS_OT_FREE
DA_	40
Z_	46
yobi	RSF-49/500E4
da_max	650
SDM_	589
r	5
KBRG	4220
disp	9
DI_	549
doh	12