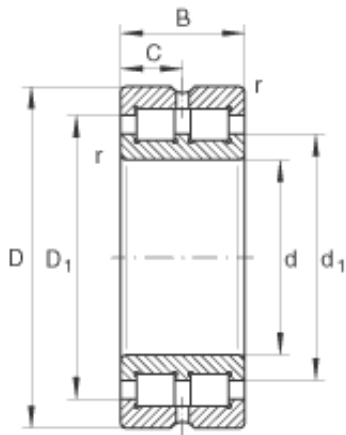




New energy Bearing Manufacturing Co.,...



360 mm x 440 mm x 80 mm INA SL014872
cylindrical roller bearings

Bearing No. SL014872

SL014872 Bearing 2D drawings and 3D CAD models

Size	360x440x80 mm
Bore Diameter	360 mm
Outer Diameter	440 mm
Width	80 mm
d	360 mm
D	440 mm
B	80 mm
C	40 mm
D ₁	413,2 mm
d ₁	391 mm
r _{min}	2,1 mm
	NNC4872V / Designation to DIN 5412
m	27 kg / Weight
C _r	900000 N / Dynamic load rating (radial)
C _{0r}	2480000 N / Static load rating (radial)
C _{ur}	255000 N / Fatigue limit load, radial
n _G	770 1/min / Limiting speed