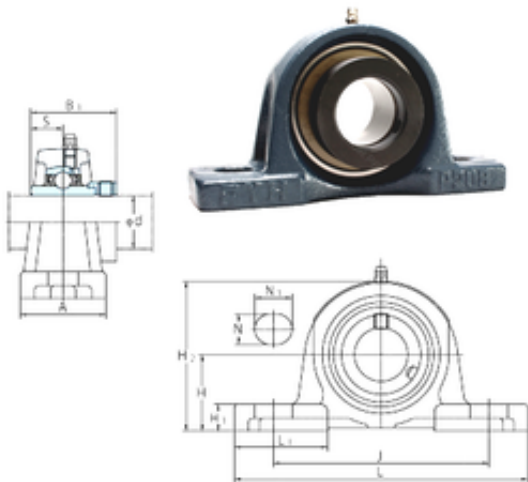




New energy Bearing Manufacturing Co.,...

FYH NAP213 bearing units

Bearing No. NAP213



NAP213 Bearing 2D drawings and 3D CAD models

Bore Diameter	65 mm
Width	76,2 mm
d	65 mm
A	70 mm
B1	85,7 mm
H	76,2 mm
H1	25 mm
H2	150 mm
J	203 mm
L	265 mm
L1	78 mm
N	25 mm
N1	30 mm
S	34,1 mm
Bolt (G)	M20
Weight	6,5 Kg
Basic dynamic load rating (C)	57,2 kN