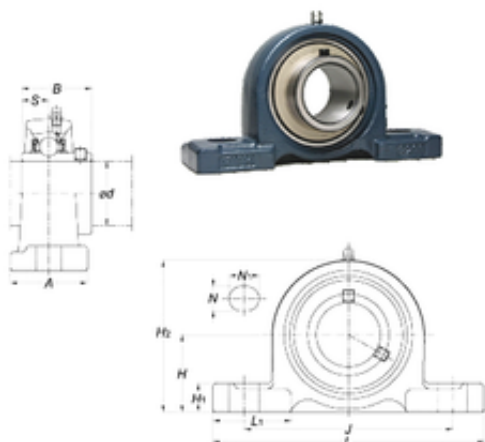




New energy Bearing Manufacturing Co.,...

FYH UCPX09-28 bearing units



Bearing No. UCPX09-28

Bore Diameter	44,45 mm
Width	51,6 mm
d	44,45 mm
A	67 mm
B	51,6 mm
H	58,7 mm
H1	21 mm
H2	116 mm
J	156 mm
L	222 mm
L1	71 mm
N	20 mm
N1	33 mm
S	19 mm
Bolt (G)	M16
Weight	3,7 Kg
Basic dynamic load rating (C)	35,1 kN
Basic static load rating (C0)	23,3 kN

UCPX09-28 Bearing 2D drawings and 3D CAD models