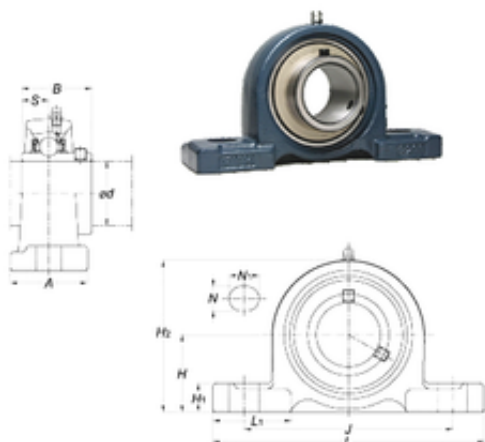




New energy Bearing Manufacturing Co.,...

FYH UCPX13 bearing units



Bearing No. UCPX13

Bore Diameter	65 mm
Width	74,6 mm
d	65 mm
A	83 mm
B	74,6 mm
H	76,2 mm
H1	28 mm
H2	155 mm
J	203 mm
L	286 mm
L1	88 mm
N	25 mm
N1	40 mm
S	30,2 mm
Bolt (G)	M20
Weight	8,1 Kg
Basic dynamic load rating (C)	62,2 kN
Basic static load rating (C0)	44,1 kN
Category	Mounted Units & Inserts
Inventory	0.0
Manufacturer Name	FYH BEARING UNITS
Minimum Buy Quantity	N/A
Weight / Kilogram	0
Product Group	M06110

UCPX13 Bearing 2D drawings and 3D CAD models