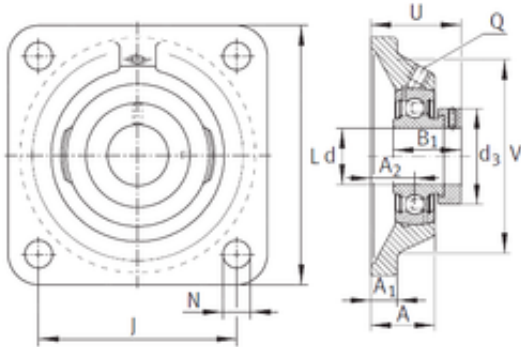




New energy Bearing Manufacturing Co.,...

INA PCJ1 bearing units



PCJ1 Bearing 2D drawings and 3D CAD models

Bearing No. PCJ1

Bore Diameter	25,4 mm
d	25,4 mm
V	80,01 mm
U	42,494 mm
Thread (Q)	1/8 NPT
d3	37,49 mm
A	30,505 mm
A1	13,005 mm
B	30,988 mm
J	70,002 mm
L	95,504 mm
N	11,506 mm
A2	18,999 mm
Category	Flange Block Bearings
Inventory	0.0
Manufacturer Name	SCHAEFFLER GROUP
Minimum Buy Quantity	N/A
Weight / Kilogram	0.9
Product Group	M06110
Number of Mounting Holes	4
Mounting Method	Eccentric Collar
Housing Style	4 Bolt Square Flange Block
Rolling Element	Ball Bearing
Housing Material	Cast Iron
Expansion / Non-expansion	Non-expansion
Mounting Bolts	29/64 Inch



New energy Bearing Manufacturing Co.,...

Relubricatable	Yes
Insert Part Number	GRA100NPPB
Seals	Double Lip Contact
Housing Configuration	1 Piece Solid
Pilot Configuration	No Pilot
Inch - Metric	Inch
Long Description	4 Bolt Square Flange Block; 1" Bore; 4" Bolt Circle; 2.756" Bolt Spacing; 1 Piece Solid; Eccentric Collar Mount; Cast Iron; Ball Bearing; 1.221" Length Thru Bore; Relubricatable; D
Other Features	Single Row With Set Screw
Category	Flange Block
UNSPSC	31171501
Harmonized Tariff Code	8483.20.40.40
Noun	Bearing
Keyword String	Flanged
Manufacturer URL	http://www.ina.com
Manufacturer Item Number	PCJ1
Weight / LBS	1.985
Cartridge Pilot Diameter	0 Inch 0 Millimeter
Cartridge Pilot Depth	0 Inch 0 Millimeter
Length Thru Bore	1.221 Inch 31.013 Millimeter
Nominal Bolt Circle Diameter Round	4 Inch 101.6 Millimeter
Bolt Spacing	2.756 Inch 70 Millimeter
Bore	1 Inch 25.4 Millimeter