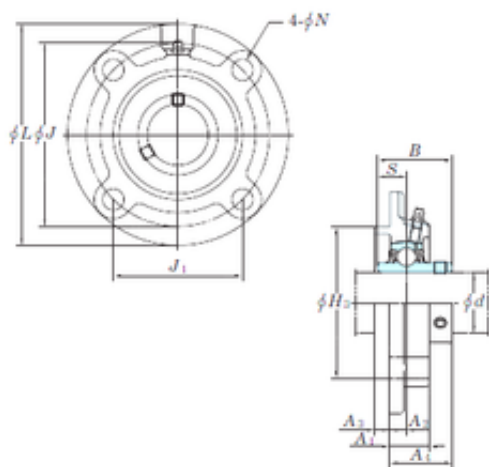




New energy Bearing Manufacturing Co.,...



KOYO UCFC217 bearing units

Bearing No. UCFC217

Bore Diameter	85 mm
d	85 mm
H3	180 mm
A4	69,6 mm
A1	45 mm
B	85,7 mm
J	208 mm
L	250 mm
N	23 mm
S	34,1 mm
Bolt (G)	M20
A2	18 mm
A3	18 mm
J1	147,1 mm
Weight	10,3 Kg
Basic dynamic load rating (C)	84 kN
Basic static load rating (C0)	61,9 kN
Bearing No.	UCFC217
Bolt size	M20
Cr	84.0
C0r	61.9
f0	14.5
(Refer.)Unit mass(kg)	10.3
Nipple size	R1/8

UCFC217 Bearing 2D drawings and 3D CAD models