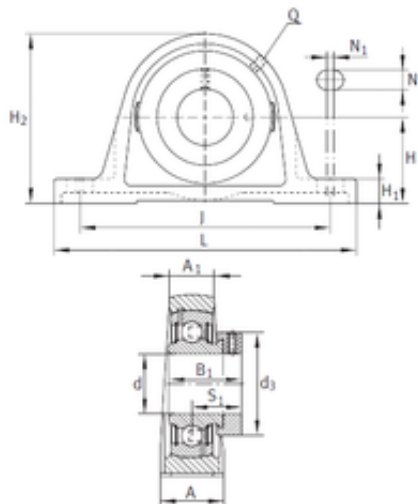




New energy Bearing Manufacturing Co.,...



INA PAK5/8 bearing units

Bearing No. PAK5/8

Bore Diameter	15,875 mm
d	15,875 mm
S1	22,098 mm
Thread (Q) - 1/4-28 UNF	1/428 UNF
d3	27,991 mm
A	32,004 mm
A1	19 mm
B	28,601 mm
H	27,001 mm
H1	10,795 mm
H2	54,788 mm
J	91,999 mm
L	124,994 mm
N	10,999 mm
N1	10,999 mm
Category	Pillow Block Bearings
Inventory	0.0
Manufacturer Name	SCHAEFFLER GROUP
Minimum Buy Quantity	N/A
Weight / Kilogram	0.551
Product Group	M06110
Number of Mounting Holes	2
Mounting Method	Eccentric Collar
Housing Style	2 Bolt Pillow Block
Rolling Element	Ball Bearing
Housing Material	Cast Iron

PAK5/8 Bearing 2D drawings and 3D CAD models



New energy Bearing Manufacturing Co.,...

Expansion / Non-expansion	Non-expansion
Relubricatable	Yes
Insert Part Number	GRA010NPPB
Seals	Double Lip Contact
Housing Configuration	1 Piece Solid
Inch - Metric	Inch
Other Features	Single Row Spherical Low Base With Set Screw
Long Description	2 Bolt Pillow Block; 5/8" Bore; 1-1/16" Base to Center Height; Eccentric Collar Mount; Ball Bearing; 3-3/16" Minimum Bolt Spacing; 4.055" Bolt Spacing Maximum; Relubricatable; Cast
Category	Pillow Block
UNSPSC	31171511
Harmonized Tariff Code	8483.20.40.40
Noun	Bearing
Keyword String	Pillow Block
Manufacturer URL	http://www.ina.com
Manufacturer Item Number	PAK5/8
Weight / LBS	1.213
Bore	0.625 Inch 15.875 Millimeter
Bolt Spacing Minimum	3.189 Inch 81Millimeter
Actual Bolt Center to Center	0 Inch 0Millimeter
Base to Center Height	1.063 Inch 27 Millimeter
Nominal Bolt Center to Center	3.6 Inch 92 Millimeter
Length Thru Bore	1.126 Inch 28.6 Millimeter
Bolt Spacing Maximum	4.055 Inch 103Millimeter