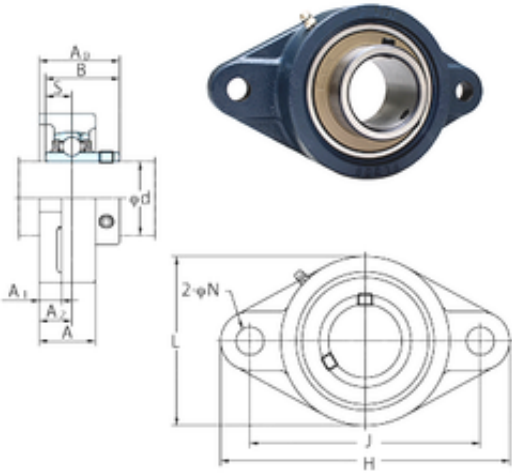




# New energy Bearing Manufacturing Co.,...

## FYH UCFL206E bearing units

Bearing No. UCFL206E



UCFL206E Bearing 2D drawings and 3D CAD models

Bore Diameter	30 mm
d	30 mm
A0	40,2 mm
A	31 mm
A1	13 mm
B	38,1 mm
H	148 mm
J	116,7 mm
L	80 mm
N	12 mm
S	15,9 mm
A2	18 mm
Weight	0,93 Kg
Basic dynamic load rating (C)	19,5 kN
Basic static load rating (C0)	11,3 kN