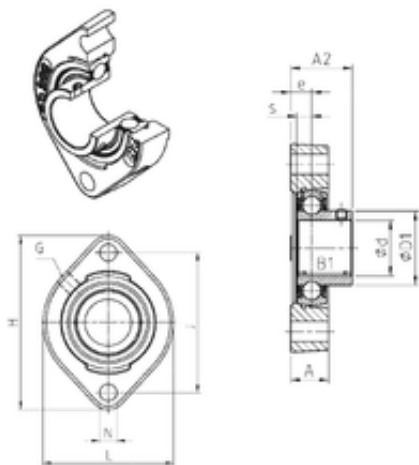




# New energy Bearing Manufacturing Co.,...



## SNR USFD206 bearing units

Bearing No. USFD206

Bore Diameter	30 mm
d	30 mm
e	11,4 mm
s	8 mm
A	20,5 mm
B1	30 mm
D1	40,3 mm
H	112,5 mm
J	90,5 mm
L	84 mm
N	11 mm
Thread (G)	R1/8"
A2	33,4 mm
Weight	0,7 Kg
Basic dynamic load rating (C)	19,5 kN

USFD206 Bearing 2D drawings and 3D CAD models