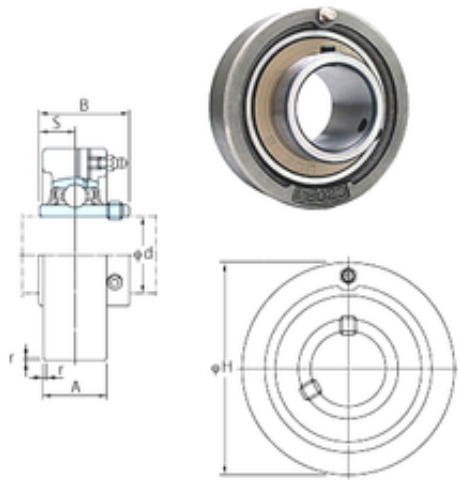




New energy Bearing Manufacturing Co.,...



FYH UCC212-39 bearing units

Bearing No. UCC212-39

Bore Diameter	61,9125 mm
Width	65,1 mm
d	61,9125 mm
r	2,5 mm
A	38 mm
B	65,1 mm
H	130 mm
S	25,4 mm
Weight	2,6 Kg
Basic dynamic load rating (C)	52,4 kN
Basic static load rating (C0)	36,2 kN

UCC212-39 Bearing 2D drawings and 3D CAD models