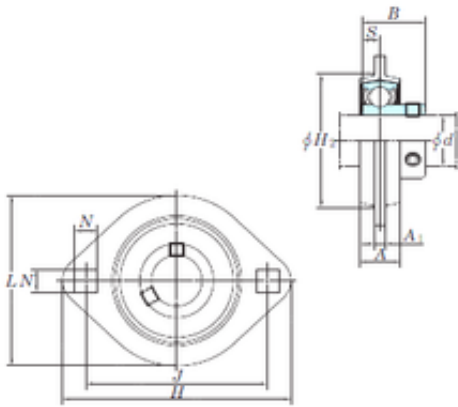




New energy Bearing Manufacturing Co.,...

KOYO SBPFL203 bearing units



Bearing No. SBPFL203

SBPFL203 Bearing 2D drawings and 3D CAD models

| | |
|-------------------------------|----------|
| Bore Diameter | 17 mm |
| Width | 22 mm |
| d | 17 mm |
| A | 14 mm |
| A1 | 4 mm |
| B | 22 mm |
| H | 81 mm |
| H2 | 49 mm |
| J | 63,5 mm |
| L | 59 mm |
| N | 7,1 mm |
| S | 6 mm |
| Bolt (G) | M6 |
| Weight | 0,19 Kg |
| Basic dynamic load rating (C) | 9,55 kN |
| Basic static load rating (C0) | 4,8 kN |
| Bearing No. | SBPFL203 |
| Bolt size | M6 |
| Cr | 9.55 |
| C0r | 4.80 |
| f0 | 13.2 |
| H1 | - |
| (Refer.)Unit mass(kg) | 0.19 |