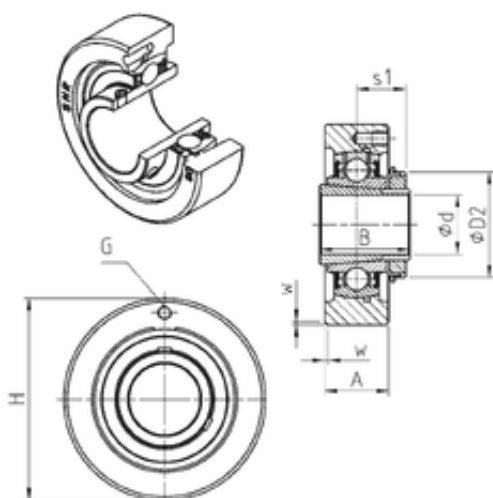




New energy Bearing Manufacturing Co.,...



SNR UKC322H bearing units

Bearing No. UKC322H

Bore Diameter	100 mm
Width	105 mm
d	100 mm
s1	61 mm
A	80 mm
B	105 mm
D2	145 mm
H	300 mm
W	5 mm
Thread (G)	M10x1
Weight	31,6 Kg
Basic dynamic load rating (C)	205 kN
A3	5 mm
A5	61 mm
B1	105 mm
d1	145 mm
G	M10x1
C	205 kN
C0	178 kN
T min.	-20 ° C
T max.	100 ° C
Adapter sleeve reference	H2322
Designation of housing	C322-
Designation of bearing	UK322G2H

UKC322H Bearing 2D drawings and 3D CAD models