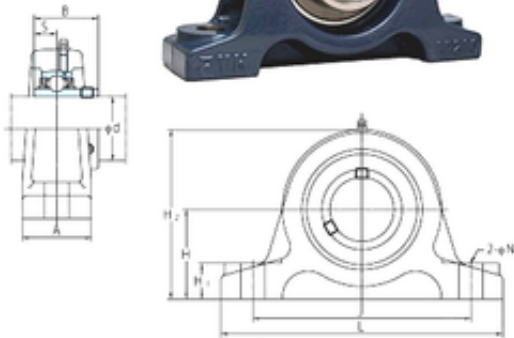




New energy Bearing Manufacturing Co.,...

FYH UCIP319 bearing units

Bearing No. UCIP319



UCIP319 Bearing 2D drawings and 3D CAD models

Bore Diameter	95 mm
Width	103 mm
d	95 mm
A	85 mm
B	103 mm
H	150 mm
H1	45 mm
H2	285 mm
J	340 mm
L	410 mm
N	29 mm
S	41 mm
Bolt (G)	M27
Weight	31,7 Kg
Basic dynamic load rating (C)	153 kN
Basic static load rating (C0)	119 kN