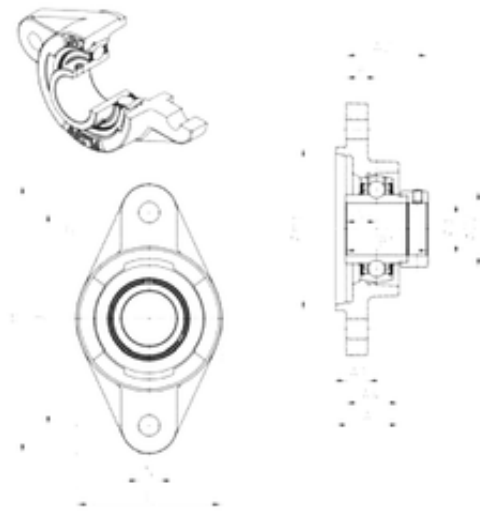




New energy Bearing Manufacturing Co.,...



SNR EXFLZ208 bearing units

Bearing No. EXFLZ208

Bore Diameter	40 mm
d	40 mm
H3	100 mm
A4	32 mm
e	20 mm
s	21,4 mm
A	36 mm
A1	13 mm
B1	56,3 mm
D2	60,3 mm
H	172 mm
J	143,5 mm
L	105 mm
N	14 mm
Thread (G)	R1/8"
A2	54,9 mm
Weight	1,8 Kg
Basic dynamic load rating (C)	29,6 kN

EXFLZ208 Bearing 2D drawings and 3D CAD models