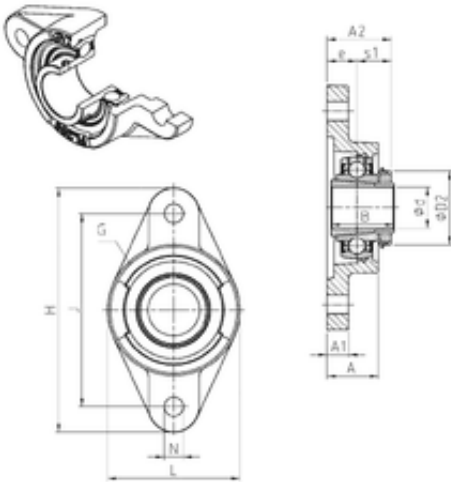




New energy Bearing Manufacturing Co.,...



SNR UKFL317H bearing units

Bearing No. UKFL317H

Bore Diameter	75 mm
d	75 mm
e	44 mm
s1	48 mm
A	74 mm
A1	32 mm
B	82 mm
D2	110 mm
H	370 mm
J	300 mm
L	220 mm
N	38 mm
Thread (G)	M10x1
A2	92 mm
Weight	14,4 Kg
Basic dynamic load rating (C)	132,6 kN

UKFL317H Bearing 2D drawings and 3D CAD models