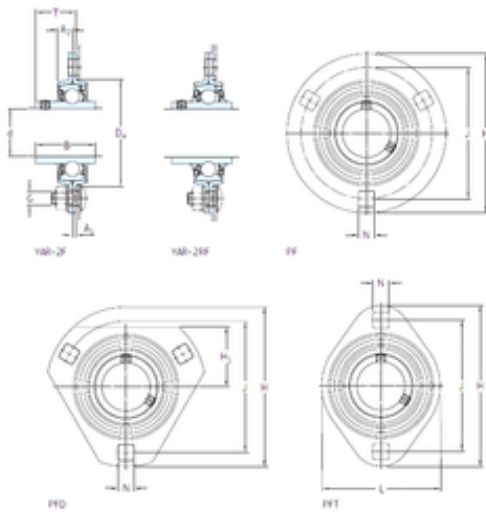




New energy Bearing Manufacturing Co.,...



SKF PFT 1. TF bearing units

Bearing No. PFT 1. TF

| | |
|---|---------------|
| Bore Diameter | 25,4 mm |
| Width | 34,1 mm |
| d | 25,4 mm |
| Da | 60 mm |
| A1 | 2 mm |
| B | 34,1 mm |
| G | 8 mm |
| H | 95 mm |
| H1 | – mm |
| J | 76 mm |
| L | 71 mm |
| N | 8,7 mm |
| T | 21,8 mm |
| A2 | 9 mm |
| Weight | 0,28 Kg |
| Basic dynamic load rating (C) | 14 kN |
| Basic static load rating (C0) | 7,8 kN |
| Housing material | Pressed steel |
| D _a min. | 56 mm |
| A ₁ | 2 mm |
| A ₂ | 9 mm |
| B ₄ | 5 mm |
| s ₁ | 19.8 mm |
| Basic dynamic load rating C | 14 kN |
| Basic static load rating C ₀ | 7.8 kN |
| Fatigue load limit P _u | 0.335 kN |

PFT 1. TF Bearing 2D drawings and 3D CAD models



New energy Bearing Manufacturing Co.,...

| | |
|---|------------|
| Limiting speed | 7000 r/min |
| Mass bearing unit | 0.3 kg |
| Thread grub screw G_2 | 1/4-28 UNF |
| Hexagonal key size for grub screw N | 3.175 mm |
| Recommended tightening torque for grub screw | 4 N · m |
| Recommended diameter for attachment bolts, mm G | 8 mm |
| Recommended diameter for attachment bolts, inch G | 0.3125 in |