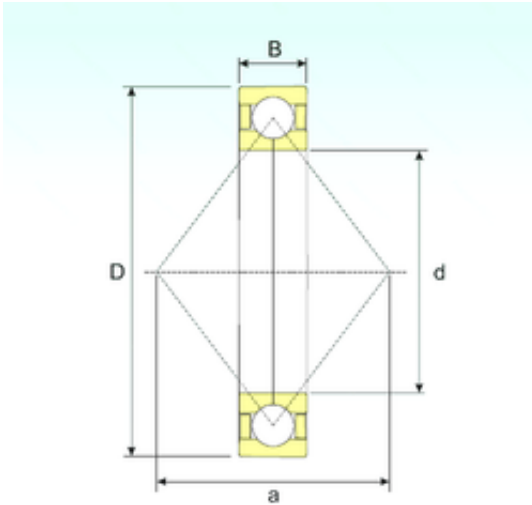




## New energy Bearing Manufacturing Co.,...



QJ 220 N2 M Bearing 2D drawings and 3D CAD models

100 mm x 180 mm x 34 mm ISB QJ 220 N2 M  
angular contact ball bearings

Bearing No. QJ 220 N2 M

Size	100x180x34 mm
Bore Diameter	100 mm
Outer Diameter	180 mm
Width	34 mm
d	100 mm
D	180 mm
B	34 mm
C	34 mm
a	98 mm
Weight	4,05 Kg
Basic dynamic load rating (C)	231 kN
Basic static load rating (C0)	259 kN
(Grease) Lubrication Speed	4819 r/min