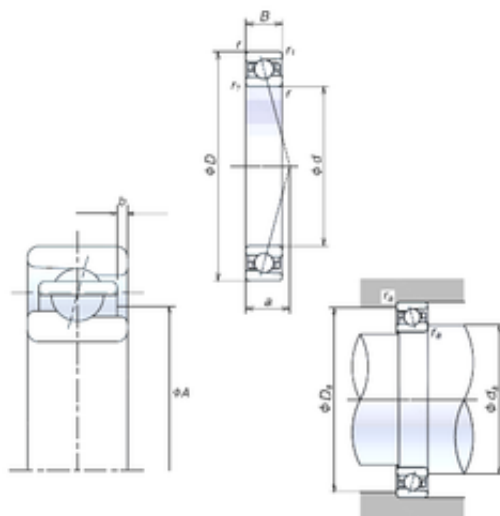




New energy Bearing Manufacturing Co.,...



35 mm x 55 mm x 10 mm NSK 35BNR19X angular contact ball bearings

Bearing No. 35BNR19X

Size	35x55x10 mm
Bore Diameter	35 mm
Outer Diameter	55 mm
Width	10 mm
d	35 mm
D	55 mm
B	10 mm
C	10 mm
Angle (°)	18 °
a	12,3 mm
b	0,5 mm
r min.	0,6 mm
r1 min.	0,3 mm
A	42 mm
da min.	40 mm
Da max.	50 mm
ra max.	0,6 mm
Weight	0,063 Kg
Basic dynamic load rating (C)	9,2 kN
Basic static load rating (C0)	6 kN
(Grease) Lubrication Speed	46700 r/min

35BNR19X Bearing 2D drawings and 3D CAD models