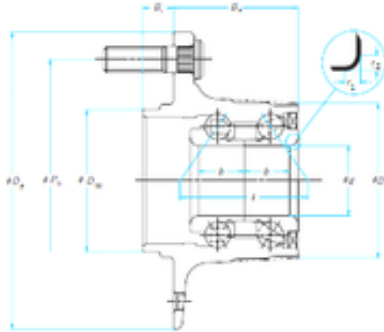




New energy Bearing Manufacturing Co.,...

NSK 30BWK02J angular contact ball bearings



30BWK02J Bearing 2D drawings and 3D CAD models

Bearing No. 30BWK02J

Bore Diameter	30 mm
Outer Diameter	136 mm
d	30 mm
D	136 mm
Df	136 mm
Pb	100 mm
Bi	11,5 mm
b	20,5 mm
r1 min.	3,5 mm
r2 min.	2,5 mm
B1	55 mm
D	67 mm
Dw	56 mm
	51,2 Tolerance h14
Weight	1,8 Kg
Basic dynamic load rating (C)	41,5 kN
Basic static load rating (C0)	31 kN