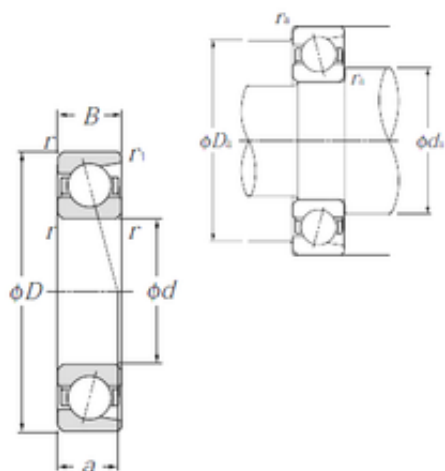




New energy Bearing Manufacturing Co.,...

150 mm x 320 mm x 65 mm NTN 7330B
angular contact ball bearings



Bearing No. 7330B

Size	150x320x65 mm
Bore Diameter	150 mm
Outer Diameter	320 mm
Width	65 mm
d	150 mm
D	320 mm
B	65 mm
C	65 mm
Angle (°)	40 °
a	131 mm
r min.	4 mm
r1 min.	1,5 mm
da min.	168 mm
ra max.	3 mm
Weight	25,1 Kg
Basic dynamic load rating (C)	300 kN
Basic static load rating (C0)	350 kN
(Grease) Lubrication Speed	2 000 r/min
Contact angle	40 °
rs min	4 mm
r1s min	1.5 mm
Mass	25.1 kg
Dynamic load, C	300 kN
Static load, C0	350 kN
Fatigue limit load, Cu	10.4 kN

7330B Bearing 2D drawings and 3D CAD models



New energy Bearing Manufacturing Co.,...

Nlim (oil)	2,600 rpm
Nlim (grease)	2,000 rpm
Min operating temperature, Tmin	-40 ° C
Max operating temperature, Tmax	120 ° C
Characteristic cage frequency, FTF	0.42 Hz
Characteristic rolling element frequency, BSF	4.5 Hz
Characteristic outer ring frequency, BPF0	5.01 Hz
Characteristic inner ring frequency, BRF1	6.99 Hz
da min	168 mm
db min	302 mm
Da max	311.5 mm
Db max	3 mm
r1a max	1.5 mm
ra max	3 mm
Category	Angular Contact Ball Bearings
Inventory	0.0
Manufacturer Name	NTN
Minimum Buy Quantity	N/A
Weight / Kilogram	25.8
Product Group	B00308
Enclosure	Open
Flush Ground	No
Rolling Element	Ball Bearing
Number of Rows of Balls	Single Row
Precision Class	ABEC 1 ISO P0
Maximum Capacity / Filling Slot	No
Snap Ring	No



New energy Bearing Manufacturing Co.,...

Cage Material	Steel
Contact Angle	40 Degree
Internal Clearance	C0-Medium
Number of Bearings	1 (Single)
Inch - Metric	Metric
Long Description	150MM Bore; 320MM Outside Diameter; 65MM Width; Open; No Flush Ground; Ball Bearing; Single Row of Balls; ABEC 1 ISO P0; No Filling Slot; No Snap Ring; C0-Medium; Steel Cage; 40 Degree; 1 (Single)
Category	Angular Contact Ball Bearing
UNSPSC	31171531
Harmonized Tariff Code	8482.10.50.28
Noun	Bearing
Keyword String	Angular Contact
Manufacturer URL	http://www.ntnamerica.com
Outside Diameter	12.598 Inch 320 Millimeter
Width	2.559 Inch 65 Millimeter
Bore	5.906 Inch 150 Millimeter